



SUBMITTAL DATA SHEET

Ceiling&Floor Heat Pump System	
Location: _____	Approval: _____
Engineer: _____	Date: _____
Submitted to: _____	Construction: _____
Submitted by: _____	Unit #: _____
Reference: _____	Drawing #: _____

Set Code	22022710003716
Indoor unit code	22022711000658
Outdoor unit code	22023116000122
Set Model	
Indoor unit model	MIU-A48LF-2
Outdoor unit model	MOU-A48L-2
Certified	
AHRI	
CSA	



SYSTEM PERFORMANCE DATA

Power supply		
Normal Operational Voltage	(V, Ph, Hz)	208/230V, 1Ph, 60Hz
Voltage Range	(V)	187-253
Electrical		
Minimum circuit ampacity(Outdoor)	(A)	36.5
Max.fuse(Outdoor)	(A)	50.0
Connection wiring		14AWG*2 Stranded, shielded
Cooling		
Capacity	(Btu/h)	48000(15861~48000)
Power Input	(W)	5170(650~5170)
Current	(A)	23.6(4.84~23.6)
SEER2	(Btu/W)	18.9
EER2	(Btu/W)	9.3
Heating		
Capacity	(Btu/h)	50000(12159~50000)
Power Input	(W)	5861(677~5861)
Current	(A)	25.5(5.01~25.5)
HSPF2-4	(Btu/W)	10.0
HSPF2-5	(Btu/W)	7.5
COP	W/W	2.50
Heat at 17F(H32)	(Btu/h)	29000
Heat at 5F(H42)	(Btu/h)	34000
COP at 5F(H42)	W/W	1.85

REFRIGERANT PIPE DATA

Throttle type	Indoor unit	N/A
	Outdoor unit	EXV+Throttle valve
Design pressure	(PSIG)	550/340
Refrigerant Type		R410A
Refrigerant charge	oz	159.00
Refrigerant precharge	(ft)	25.0
	(m)	7.5
Additional charge for each ft	(oz/ft)	0.32
Additional charge for each m	(g/m)	30.0
Liquid side/ Gas side(indoor)	(inch)	3/8"/5/8"
	(mm)	9.52/15.9
Liquid side/ Gas side(outdoor)	(inch)	3/8"/5/8"
	(mm)	9.52/15.9
Max. pipe length	(ft)	213.3
	(m)	65.0
Max. difference in level	(ft)	98.4
	(m)	30.0
Connection method		Flared
Indoor(cooling)	(Deg. °F)	62~90
	(Deg. °C)	17~32
Indoor(heating)	(Deg. °F)	32~86
	(Deg. °C)	0~30
Outdoor(cooling)	(Deg. °F)	5~122
	(Deg. °C)	-15~50
Outdoor(heating)	(Deg. °F)	5~75
	(Deg. °C)	-15~24

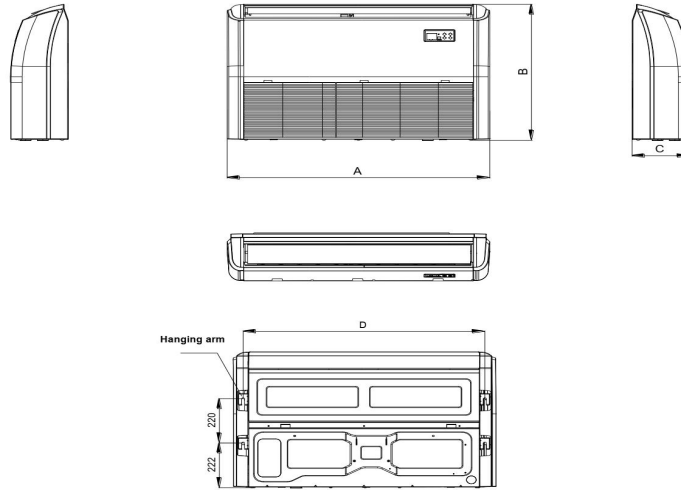
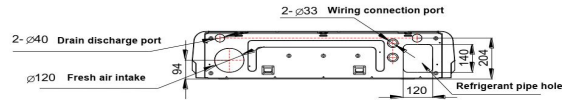
INDOOR UNIT DATA

Indoor fan motor		
Model		ZKFN-90-8-1
Qty		1
Input	(W)	96.0
Output	(W)	90.0
RLA	(A)	1.80
Speed(Hi/Mi/Lo)	(r/min)	1320/1200/1120
Air flow & Noise level		
Indoor air flow (Hi/Med/Lo) (No duct)	(CFM)	//1352.94/1117.65/1000.00
Indoor noise level (Hi/Med/Lo)	[dB(A)]	55.0/49.5/44.5
Dehumidification	(L/H)	6.06
Indoor unit		
Dimension (WxDxH)	(inch)	64.96x26.57x9.25
	(mm)	1650x675x235
Packing(WxDxH)	(inch)	67.91x29.72x12.52
	(mm)	1725x755x318
Net/Gross weight	(lbs.)	87.74/102.29
	(kg)	39.8/46.4

OUTDOOR UNIT DATA

Compressor		
Type		ROTARY
Model		KTQ420D1UMU
Brand		GMCC
Capacity	(Btu/h)	46744
Input	(W)	3700
Rated current (RLA)	(A)	28.0
Refrigerant oil/oil charge	(ml)	VG74/1400
Outdoor fan motor		
Model		ZKFN-85-8-22-5
Qty		2
Input	(W)	126.00
Output	(W)	85.00
RLA	(A)	1.20
Speed	(r/min)	850/750/650/550
Air flow & Noise level		
Outdoor air flow (Max.)	(CFM)	4500.0
Outdoor noise level	[dB(A)]	63.5
Outdoor unit		
Dimension (WxDxH)	(inch)	37.48x16.34x52.48
	(mm)	952x415x1333
Packing (WxDxH)	(inch)	43.11x19.49x58.27
	(mm)	1095x495x1480
Net/ Gross weight	(lbs.)	219.14/249.12
	(kg)	99.4/113

Indoor unit dimension



Capacity (Btu/h)	Unit	A	B	C	D
18K / 24K	mm	1068	675	235	983
	inch	42.05	26.57	9.25	38.70
36K	mm	1285	675	235	1200
	inch	50.59	26.57	9.25	47.24
48K/60K	mm	1650	675	235	1565
	inch	64.96	26.57	9.25	61.61

Outdoor unit dimension

