



SUBMITTAL DATA SHEET

Ceiling&Floor Heat Pump System

| | |
|--|--|
| Location: _____ Engineer: _____ Submitted to: _____ Submitted by: _____ Reference: _____ | Approval: _____ Date: _____ Construction: _____ Unit #: _____ Drawing #: _____ |
|--|--|

| | |
|--------------------|----------------|
| Set Code | 22022710003717 |
| Indoor unit code | 22022711000659 |
| Outdoor unit code | 22022516001923 |
| Set Model | |
| Indoor unit model | MIU-A36LF-2 |
| Outdoor unit model | MOU-A36LH-2 |
| Certified | |
| AHRI | |
| CSA | |



SYSTEM PERFORMANCE DATA

| | | |
|-----------------------------------|-------------|----------------------------|
| Power supply | | |
| Normal Operational Voltage | (V, Ph, Hz) | 208/230V, 1Ph, 60Hz |
| Voltage Range | (V) | 187-253 |
| Electrical | | |
| Minimum circuit ampacity(Outdoor) | (A) | 41.0 |
| Max.fuse(Outdoor) | (A) | 50.0 |
| Connection wiring | | 14AWG*2 Stranded, shielded |
| Cooling | | |
| Capacity | (Btu/h) | 36000(7780~42100) |
| Power Input | (W) | 4090(370~4140) |
| Current | (A) | 17.8(3.05~18.31) |
| SEER2 | (Btu/W) | 17.6 |
| EER2 | (Btu/W) | 8.8 |
| Heating | | |
| Capacity | (Btu/h) | 39000(11500~45700) |
| Power Input | (W) | 4250(740~4790) |
| Current | (A) | 19(4.17~21.14) |
| HSPF2-4 | (Btu/W) | 10.0 |
| HSPF2-5 | (Btu/W) | 8.2 |
| COP | W/W | 2.69 |
| Heat at 17F(H32) | (Btu/h) | 32000 |
| Heat at 5F(H42) | (Btu/h) | 36600 |
| COP at 5F(H42) | W/W | 1.75 |

REFRIGERANT PIPE DATA

| | | |
|--------------------------------|--------------|--------------------|
| Throttle type | Indoor unit | N/A |
| | Outdoor unit | EXV+Throttle valve |
| Design pressure | (PSIG) | 550/340 |
| Refrigerant Type | | R410A |
| Refrigerant charge | oz | 148.40 |
| Refrigerant precharge | (ft) | 25.0 |
| | (m) | 7.5 |
| Additional charge for each ft | (oz/ft) | 0.32 |
| Additional charge for each m | (g/m) | 30.0 |
| Liquid side/ Gas side(indoor) | (inch) | 3/8"/5/8" |
| | (mm) | 9.52/15.9 |
| Liquid side/ Gas side(outdoor) | (inch) | 3/8"/5/8" |
| | (mm) | 9.52/15.9 |
| Max. pipe length | (ft) | 213.3 |
| | (m) | 65.0 |
| Max. difference in level | (ft) | 98.4 |
| | (m) | 30.0 |
| Connection method | | Flared |
| Indoor(cooling) | (Deg. °F) | 62~90 |
| | (Deg. °C) | 17~32 |
| Indoor(heating) | (Deg. °F) | 32~86 |
| | (Deg. °C) | 0~30 |
| Outdoor(cooling) | (Deg. °F) | 5~122 |
| | (Deg. °C) | -15~50 |
| Outdoor(heating) | (Deg. °F) | -22~75 |
| | (Deg. °C) | -30~24 |

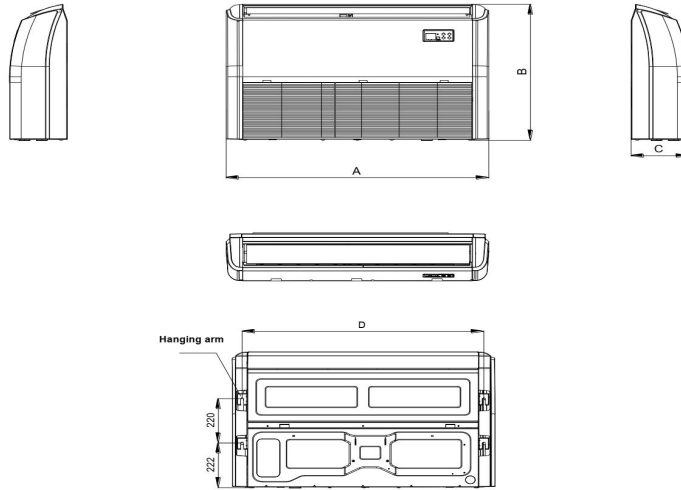
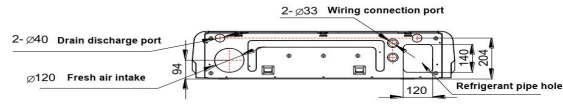
INDOOR UNIT DATA

| | | |
|---------------------------------------|---------|-------------------------|
| Indoor fan motor | | |
| Model | | ZKFN-115-8-1 |
| Qty | | 1 |
| Input | (W) | 130.0 |
| Output | (W) | 115.0 |
| RLA | (A) | 1.50 |
| Speed(Hi/Mi/Lo) | (r/min) | 1300/1150/800 |
| Air flow & Noise level | | |
| Indoor air flow (Hi/Med/Lo) (No duct) | (CFM) | //1036.47/917.06/637.65 |
| Indoor noise level (Hi/Med/Lo) | [dB(A)] | 52.5/48.5/42.5 |
| Dehumidification | (L/H) | 4.919 |
| Indoor unit | | |
| Dimension (WxDxH) | (inch) | 50.59x26.57x9.25 |
| | (mm) | 1285x675x235 |
| Packing(WxDxH) | (inch) | 53.54x29.72x12.52 |
| | (mm) | 1360x755x318 |
| Net/Gross weight | (lbs.) | 69.00/81.57 |
| | (kg) | 31.3/37 |

OUTDOOR UNIT DATA

| | | |
|-----------------------------------|---------|-------------------------|
| Compressor | | |
| Type | | ROTARY |
| Model | | EAPQ420D1UMUA |
| Brand | | GMCC |
| Capacity | (Btu/h) | 44015 |
| Input | (W) | 3565 |
| Rated current (RLA) | (A) | 32.0 |
| Refrigerant oil/oil charge | (ml) | 1460±15mlESTER OIL VG74 |
| Outdoor fan motor | | |
| Model | | ZKFN-85-8-22-5 |
| Qty | | 2 |
| Input | (W) | 126.00 |
| Output | (W) | 85.00 |
| RLA | (A) | 1.20 |
| Speed | (r/min) | 800/750/650 |
| Air flow & Noise level | | |
| Outdoor air flow (Max.) | (CFM) | 4500.0 |
| Outdoor noise level | [dB(A)] | 63.0 |
| Outdoor unit | | |
| Dimension (WxDxH) | (inch) | 37.48x16.34x52.48 |
| | (mm) | 952x415x1333 |
| Packing (WxDxH) | (inch) | 43.11x19.49x58.27 |
| | (mm) | 1095x495x1480 |
| Net/ Gross weight | (lbs.) | 220.24/248.02 |
| | (kg) | 99.9/112.5 |

Indoor unit dimension



| Capacity (Btu/h) | Unit | A | B | C | D |
|------------------|------|-------|-------|------|-------|
| 18K / 24K | mm | 1068 | 675 | 235 | 983 |
| | inch | 42.05 | 26.57 | 9.25 | 38.70 |
| 36K | mm | 1285 | 675 | 235 | 1200 |
| | inch | 50.59 | 26.57 | 9.25 | 47.24 |
| 48K/60K | mm | 1650 | 675 | 235 | 1565 |
| | inch | 64.96 | 26.57 | 9.25 | 61.61 |

Outdoor unit dimension

