

SUBMITTAL DATA SHEET



Multi Zone Heat Pump	
Location: _____	Approval: _____
Engineer: _____	Date: _____
Submitted to: _____	Construction: _____
Submitted by: _____	Unit #: _____
Reference: _____	Drawing #: _____

Set Code	22022310003467
Indoor unit code	2202201101662322022011016701
Outdoor unit code	22022316001766
Set Model	
Indoor unit model	MIU-A09W-2MIU-A12W-2
Outdoor unit model	MOU-5A55H-2
Certified	
AHRI	
UL	



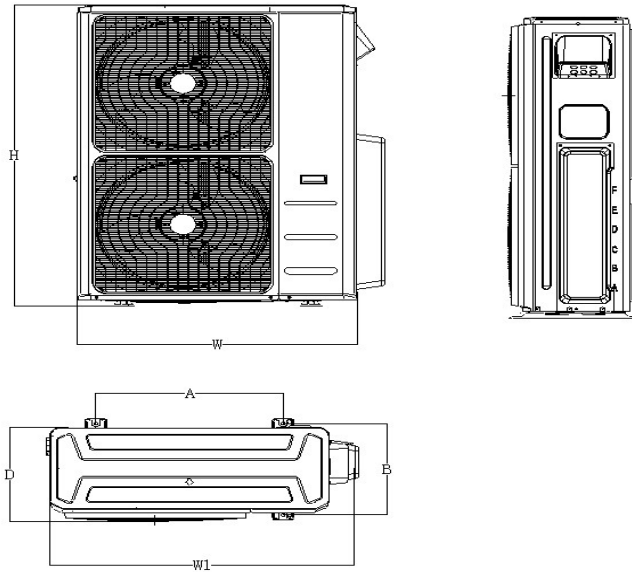
SYSTEM PERFORMANCE DATA		
Power supply		
Normal Operational Voltage	(V, Ph, Hz)	208/230V, 1Ph, 60Hz
Voltage Range	(V)	187-253
Electrical		
Minimum circuit ampacity	(A)	40.0
Max.fuse	(A)	60.0
Connection wiring		14AWG*4 Stranded, unshielded
Cooling		
Capacity	(Btu/h)	55000(11600-56500)
Power Input	(W)	5238(810-5800)
Current	(A)	23.5(3.9-26)
SEER2	(Btu/W)	20.0
EER2	(Btu/W)	10.5
Heating		
Capacity	(Btu/h)	55000(33000-63000)
Power Input	(W)	5117(2860-5650)
Current	(A)	22.5(12.7-25.5)
HSPF2-4	(Btu/W)	9.3
HSPF2-5	(Btu/W)	7.0
COP	W/W	3.15
Heat at 17F(H32)	(Btu/h)	34800
Heat at 5F(H42)	(Btu/h)	45500
COP at 5F(H42)	W/W	1.80

Outdoor(cooling)	(Deg. °F)	5-122
	(Deg. °C)	-15~-50
Outdoor(heating)	(Deg. °F)	-22~-75
	(Deg. °C)	-30~-24

REFRIGERANT PIPE DATA		
Design pressure	(PSIG)	550/340
Refrigerant Type		R410A
Refrigerant charge	oz	162.3
Refrigerant precharge	(ft)	25x5
Additional charge for each ft (Φ)	(oz/ft)	0.16
6.35 (1/4") liquid pipe)	(g/ft)	15.0
Additional charge for each ft (Φ)	(oz/ft)	0.32
9.52 (3/8") liquid pipe)	(g/ft)	30.0
Liquid side	(inch)	5x1/4"
	(mm)	5x6.35
Gas side	(inch)	3x3/8"+2x1/2"
	(mm)	3x9.52+2x12.7
Max. length for all rooms	(ft)	262.5
	(m)	80.0
Max. length for one indoor unit	(ft)	114.8
	(m)	35.0
Max. height difference between indoor and outdoor unit	(ft)	49.2
	(m)	15.0
Max. height difference between indoor units	(ft)	33.0
	(m)	10.0

OUTDOOR UNIT DATA		
Compressor		
Type		ROTARY
Model		EAPQ420D1UMUA
Brand		GMCC
Capacity	(Btu/h)	44015
Input	(W)	3565
Rated current (RLA)	(A)	25
Refrigerant oil/oil charge	(ml)	1460±15mlESTER OIL VG74
Outdoor fan motor		
Model		ZKFN-85-8-22-5
Qty		2
Input	(W)	126.00
Output	(W)	85.00
RLA	(A)	2.50
Speed	(r/min)	900/850/800/750
Air flow & Noise level		
Outdoor air flow (Max.)	(CFM)	4500.00
Outdoor noise level	[dB(A)]	62.00
Outdoor unit		
Dimension (W×D×H)	(inch)	37.48x16.34x52.48
	(mm)	952x415x1333
Packing (W×D×H)	(inch)	43.11x19.49x58.27
	(mm)	1095x495x1480
Net/ Gross weight	(lbs.)	233.03/265.87
	(kg)	105.7/120.6

Outdoor unit dimension



Unit	W	D	H	W1	A	B
mm	952	415	1333	1060	634	404
inch	37.5	16.3	52.5	41.7	25.0	15.9