

SUBMITTAL DATA SHEET



Multi Zone Heat Pump	
Location: _____	Approval: _____
Engineer: _____	Date: _____
Submitted to: _____	Construction: _____
Submitted by: _____	Unit #: _____
Reference: _____	Drawing #: _____

Set Code	22022310003464
Indoor unit code	2202301100387422023011003875
Outdoor unit code	22022316001766
Set Model	
Indoor unit model	MIU-A09D-2MIU-A12D-2
Outdoor unit model	MOU-5A55H-2
Certified	AHRI   UL 



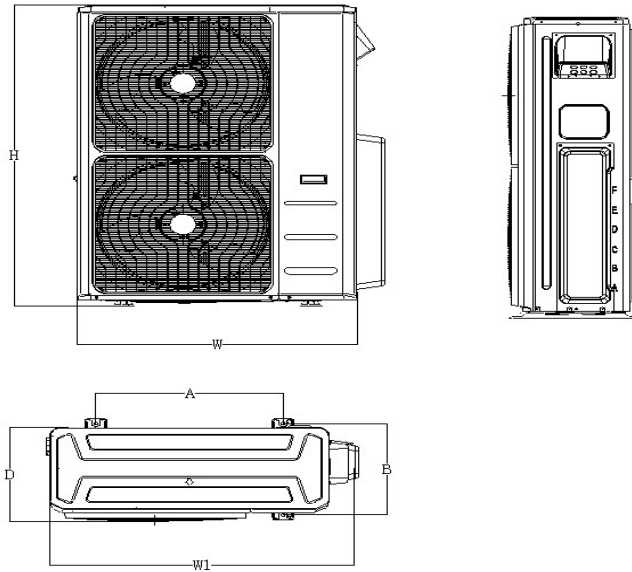
SYSTEM PERFORMANCE DATA			
Power supply			
Normal Operational Voltage	(V, Ph, Hz)	208/230V, 1Ph, 60Hz	
Voltage Range	(V)	187-253	
Electrical			
Minimum circuit ampacity	(A)	40.0	
Max.fuse	(A)	60.0	
Connection wiring		14AWG*4 Stranded, unshielded	
Cooling			
Capacity	(Btu/h)	55000(19400-57000)	
Power Input	(W)	5238(600-6050)	
Current	(A)	23.5(3.7-27.2)	
SEER2	(Btu/W)	18.8	
EER2	(Btu/W)	10.5	
Heating			
Capacity	(Btu/h)	55000(15500-61500)	
Power Input	(W)	5200(940-5600)	
Current	(A)	22.5(4.9-26)	
HSPF2-4	(Btu/W)	9.3	
HSPF2-5	(Btu/W)	7.3	
COP	W/W	3.10	
Heat at 17F(H32)	(Btu/h)	35200	
Heat at 5F(H42)	(Btu/h)	46000	
COP at 5F(H42)	W/W	1.90	

Outdoor(cooling)	(Deg. °F)	5-122
	(Deg. °C)	-15~-50
Outdoor(heating)	(Deg. °F)	-22~-75
	(Deg. °C)	-30~-24

REFRIGERANT PIPE DATA			
Design pressure	(PSIG)	550/340	
Refrigerant Type		R410A	
Refrigerant charge	oz	162.3	
Refrigerant precharge	(ft)	25x5	
Additional charge for each ft (Φ)	(oz/ft)	0.16	
6.35 (1/4") liquid pipe)	(g/ft)	15.0	
Additional charge for each ft (Φ)	(oz/ft)	0.32	
9.52 (3/8") liquid pipe)	(g/ft)	30.0	
Liquid side	(inch)	5x1/4"	
	(mm)	5x6.35	
Gas side	(inch)	3x3/8"+2x1/2"	
	(mm)	3x9.52+2x12.7	
Max. length for all rooms	(ft)	262.5	
	(m)	80.0	
Max. length for one indoor unit	(ft)	114.8	
	(m)	35.0	
Max. height difference between indoor and outdoor unit	(ft)	49.2	
	(m)	15.0	
Max. height difference between indoor units	(ft)	33.0	
	(m)	10.0	

OUTDOOR UNIT DATA			
Compressor			
Type		ROTARY	
Model		EAPQ420D1UMUA	
Brand		GMCC	
Capacity	(Btu/h)	44015	
Input	(W)	3565	
Rated current (RLA)	(A)	25	
Refrigerant oil/oil charge	(ml)	1460±15mlESTER OIL VG74	
Outdoor fan motor			
Model		ZKFN-85-8-22-5	
Qty		2	
Input	(W)	126.00	
Output	(W)	85.00	
RLA	(A)	2.50	
Speed	(r/min)	900/850/800/750	
Air flow & Noise level			
Outdoor air flow (Max.)	(CFM)	4500.00	
Outdoor noise level	[dB(A)]	61.00	
Outdoor unit			
Dimension (W×D×H)	(inch)	37.48x16.34x52.48	
	(mm)	952x415x1333	
Packing (W×D×H)	(inch)	43.11x19.49x58.27	
	(mm)	1095x495x1480	
Net/ Gross weight	(lbs.)	233.03/265.87	
	(kg)	105.7/120.6	

Outdoor unit dimension



Unit	W	D	H	W1	A	B
mm	952	415	1333	1060	634	404
inch	37.5	16.3	52.5	41.7	25.0	15.9