

SUBMITTAL DATA SHEET



<b>Multi Zone Heat Pump</b>	
Location: _____ Engineer: _____ Submitted to: _____ Submitted by: _____ Reference: _____	Approval: _____ Date: _____ Construction: _____ Unit #: _____ Drawing #: _____

<b>Set Code</b>	
Indoor unit code	22022310002984
Outdoor unit code	2202301100387422023011003875
<b>Set Model</b>	
Indoor unit model	MIU-A09D-2MIU-A12D-2
Outdoor unit model	MOU-5A48H-2
<b>Certified</b>	
AHRI	
UL	



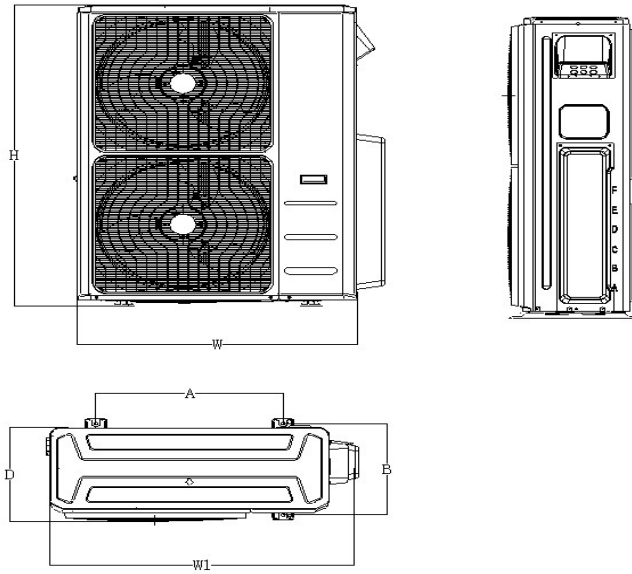
<b>SYSTEM PERFORMANCE DATA</b>		
<b>Power supply</b>		
Normal Operational Voltage	(V, Ph, Hz)	208/230V, 1Ph, 60Hz
Voltage Range	(V)	187-253
<b>Electrical</b>		
Minimum circuit ampacity	(A)	42.0
Max.fuse	(A)	50.0
Connection wiring		14AWG*4 Stranded, unshielded
<b>Cooling</b>		
Capacity	(Btu/h)	47000(18500-51000)
Power Input	(W)	4020(750-4820)
Current	(A)	18.2(5.8-21.2)
SEER2	(Btu/W)	20.9
EER2	(Btu/W)	11.7
<b>Heating</b>		
Capacity	(Btu/h)	49000(12000-59000)
Power Input	(W)	3900(710-5370)
Current	(A)	17.2(5.7-23.8)
HSPF2-4	(Btu/W)	8.9
HSPF2-5	(Btu/W)	7.4
COP	W/W	3.68
Heat at 17F(H32)	(Btu/h)	36000
Heat at 5F(H42)	(Btu/h)	42500
COP at 5F(H42)	W/W	2.00

Outdoor(cooling)	(Deg. °F)	5-122
	(Deg. °C)	-15~-50
Outdoor(heating)	(Deg. °F)	-22~-75
	(Deg. °C)	-30~-24

<b>REFRIGERANT PIPE DATA</b>		
Design pressure	(PSIG)	550/340
Refrigerant Type		R410A
Refrigerant charge	oz	162.0
Refrigerant precharge	(ft)	25x5
Additional charge for each ft (Φ 6.35 (1/4") liquid pipe)	(oz/ft)	0.16
Additional charge for each ft (Φ 9.52 (3/8") liquid pipe)	(g/ft)	15.0
Additional charge for each ft (Φ 9.52 (3/8") liquid pipe)	(oz/ft)	0.32
Additional charge for each ft (Φ 9.52 (3/8") liquid pipe)	(g/ft)	30.0
Liquid side	(inch)	5x1/4"
	(mm)	5x6.35
Gas side	(inch)	3x3/8"+2x1/2"
	(mm)	3x9.52+2x12.7
Max. length for all rooms	(ft)	262.5
	(m)	80.0
Max. length for one indoor unit	(ft)	114.8
	(m)	35.0
Max. height difference between indoor and outdoor unit	(ft)	49.2
	(m)	15.0
Max. height difference between indoor units	(ft)	33.0
	(m)	10.0

<b>OUTDOOR UNIT DATA</b>		
<b>Compressor</b>		
Type		ROTARY
Model		EAPQ420D1UMUA
Brand		GMCC
Capacity	(Btu/h)	44015
Input	(W)	3565
Rated current (RLA)	(A)	30
Refrigerant oil/oil charge	(ml)	1460±15mlESTER OIL VG74
<b>Outdoor fan motor</b>		
Model		ZKFN-85-8-22-5
Qty		2
Input	(W)	126.00
Output	(W)	85.00
RLA	(A)	1.00
Speed	(r/min)	900/850/800/750
<b>Air flow &amp; Noise level</b>		
Outdoor air flow (Max.)	(CFM)	4500.00
Outdoor noise level	[dB(A)]	65.00
<b>Outdoor unit</b>		
Dimension (W×D×H)	(inch)	37.48x16.34x52.48
	(mm)	952x415x1333
Packing (W×D×H)	(inch)	43.11x19.49x58.27
	(mm)	1095x495x1480
Net/ Gross weight	(lbs.)	238.32/269.84
	(kg)	108.1/122.4

Outdoor unit dimension



Unit	W	D	H	W1	A	B
mm	952	415	1333	1060	634	404
inch	37.5	16.3	52.5	41.7	25.0	15.9