

SUBMITTAL DATA SHEET



Multi Zone Heat Pump	
Location: _____ Engineer: _____ Submitted to: _____ Submitted by: _____ Reference: _____	Approval: _____ Date: _____ Construction: _____ Unit #: _____ Drawing #: _____

Set Code	22022310002889
Indoor unit code	22023011003874
Outdoor unit code	22022316001645
Set Model	
Indoor unit model	MIU-A09D-2
Outdoor unit model	MOU-4A36H-2
Certified	
AHRI	
UL	



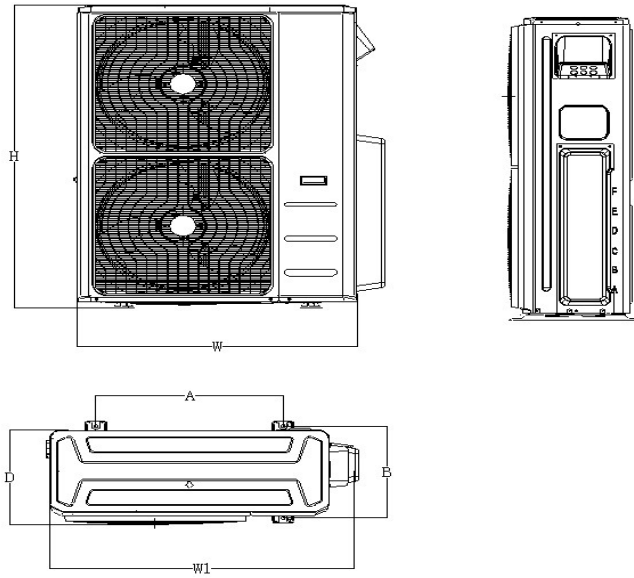
SYSTEM PERFORMANCE DATA		
Power supply		
Normal Operational Voltage	(V, Ph, Hz)	208/230V, 1Ph, 60Hz
Voltage Range	(V)	187-253
Electrical		
Minimum circuit ampacity	(A)	40.0
Max.fuse	(A)	60.0
Connection wiring	14AWG*4 Stranded, unshielded	
Cooling		
Capacity	(Btu/h)	36000(17400-44000)
Power Input	(W)	3077(600-4900)
Current	(A)	14.2(3.7-21.5)
SEER2	(Btu/W)	19.0
EER2	(Btu/W)	11.7
Heating		
Capacity	(Btu/h)	37000(13300-52000)
Power Input	(W)	2795(860-4700)
Current	(A)	12.2(4.5-21.5)
HSPF2-4	(Btu/W)	10.0
HSPF2-5	(Btu/W)	8.1
COP	W/W	3.88
Heat at 17F(H32)	(Btu/h)	35000
Heat at 5F(H42)	(Btu/h)	33000
COP at 5F(H42)	W/W	1.70

Outdoor(cooling)	(Deg. °F)	5-122
	(Deg. °C)	-15~-50
Outdoor(heating)	(Deg. °F)	-22~-75
	(Deg. °C)	-30~-24

REFRIGERANT PIPE DATA		
Design pressure	(PSIG)	550/340
Refrigerant Type	R410A	
Refrigerant charge	oz	162.0
Refrigerant precharge	(ft)	25x4
Additional charge for each ft (Φ 6.35 (1/4") liquid pipe)	(oz/ft)	0.16
Additional charge for each ft (Φ 9.52 (3/8") liquid pipe)	(g/ft)	15.0
Liquid side	(inch)	4x1/4"
	(mm)	4x6.35
Gas side	(inch)	2x3/8"+2x1/2"
	(mm)	2x9.52+2x12.7
Max. length for all rooms	(ft)	262.5
	(m)	80.0
Max. length for one indoor unit	(ft)	114.8
	(m)	35.0
Max. height difference between indoor and outdoor unit	(ft)	49.2
	(m)	15.0
Max. height difference between indoor units	(ft)	33.0
	(m)	10.0

OUTDOOR UNIT DATA		
Compressor		
Type	ROTARY	
Model	ATQ360D1UMU	
Brand	GMCC	
Capacity	(Btu/h)	38214
Input	(W)	3040
Rated current (RLA)	(A)	24
Refrigerant oil/oil charge	(ml)	VG74/1400
Outdoor fan motor		
Model	ZKFN-85-8-22-5	
Qty	2	
Input	(W)	126.00
Output	(W)	85.00
RLA	(A)	2.50
Speed	(r/min)	900/850/800/750
Air flow & Noise level		
Outdoor air flow (Max.)	(CFM)	4500.00
Outdoor noise level	[dB(A)]	60.00
Outdoor unit		
Dimension (W×D×H)	(inch)	37.48x16.34x52.48
	(mm)	952x415x1333
Packing (W×D×H)	(inch)	43.11x19.49x58.27
	(mm)	1095x495x1480
Net/ Gross weight	(lbs.)	223.11/253.97
	(kg)	101.2/115.2

Outdoor unit dimension



Unit	W	D	H	W1	A	B
mm	952	415	1333	1060	634	404
inch	37.5	16.3	52.5	41.7	25.0	15.9